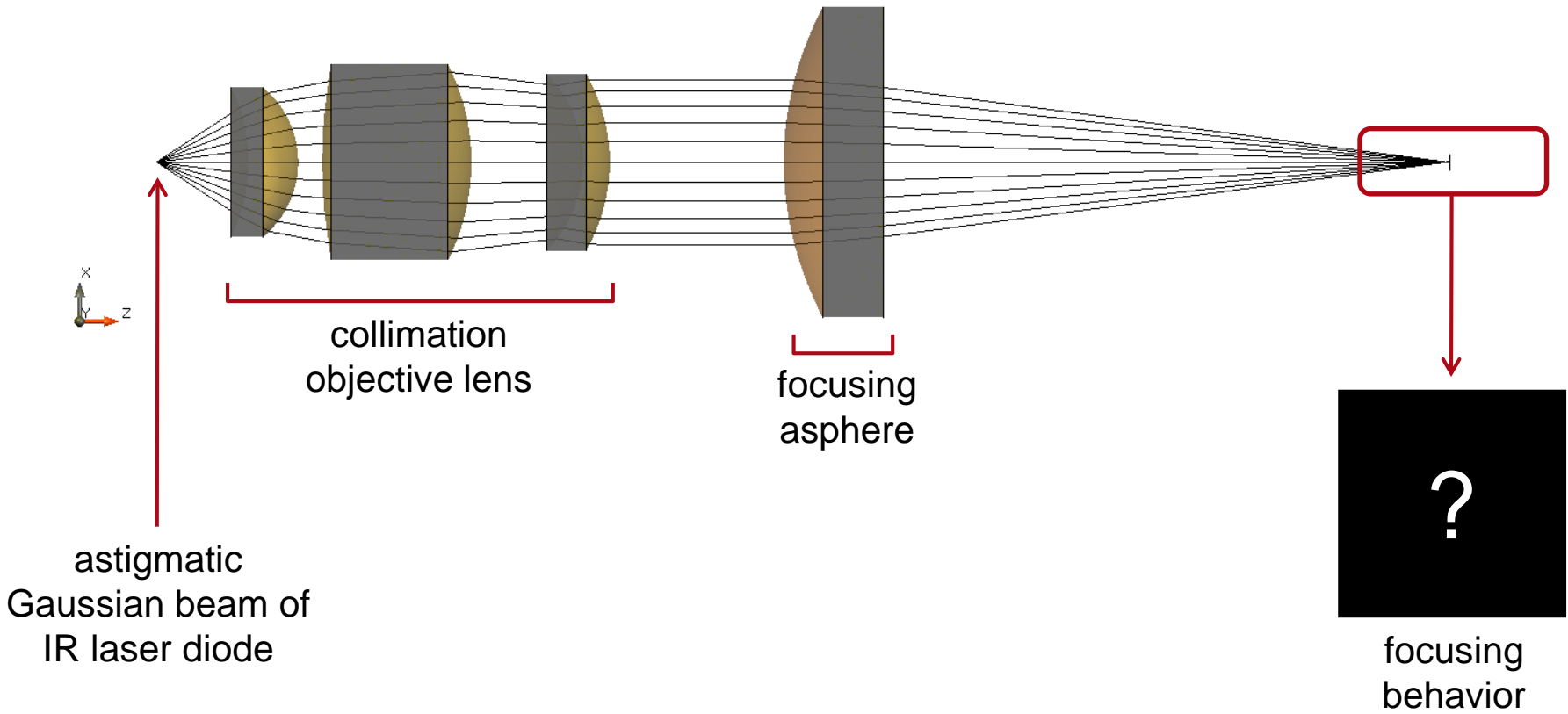


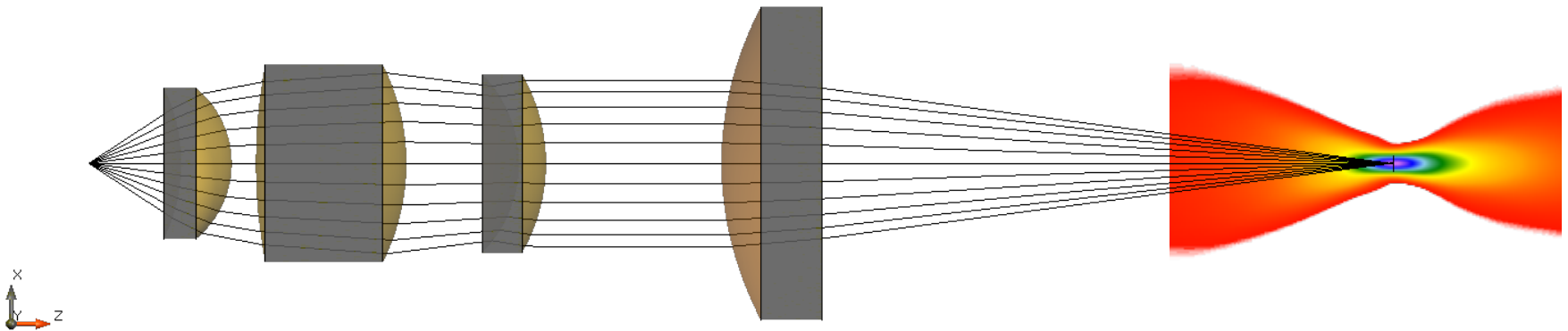
Laser Systems > Beam Delivery

# **Focus Investigation behind Aspherical Lens**

# Task/System Illustration

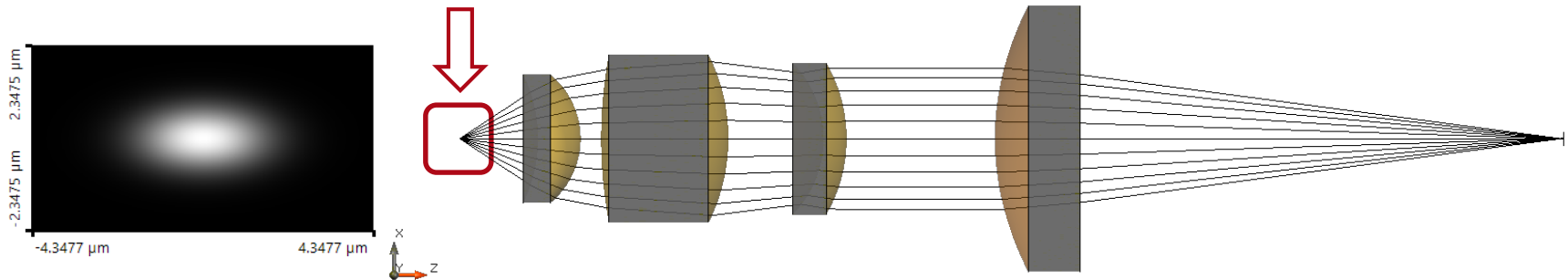


# Highlights



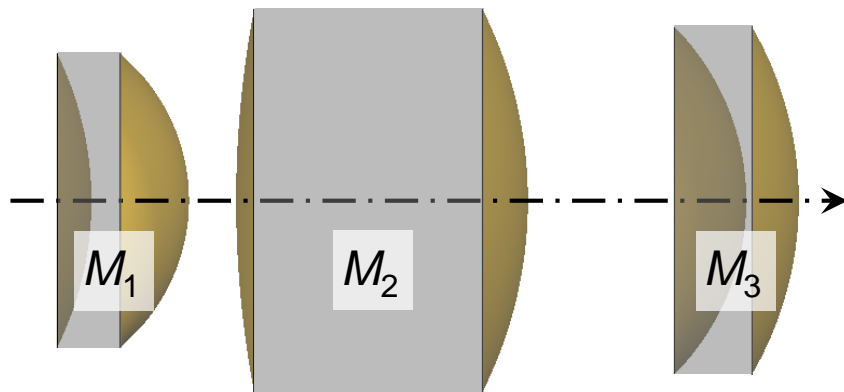
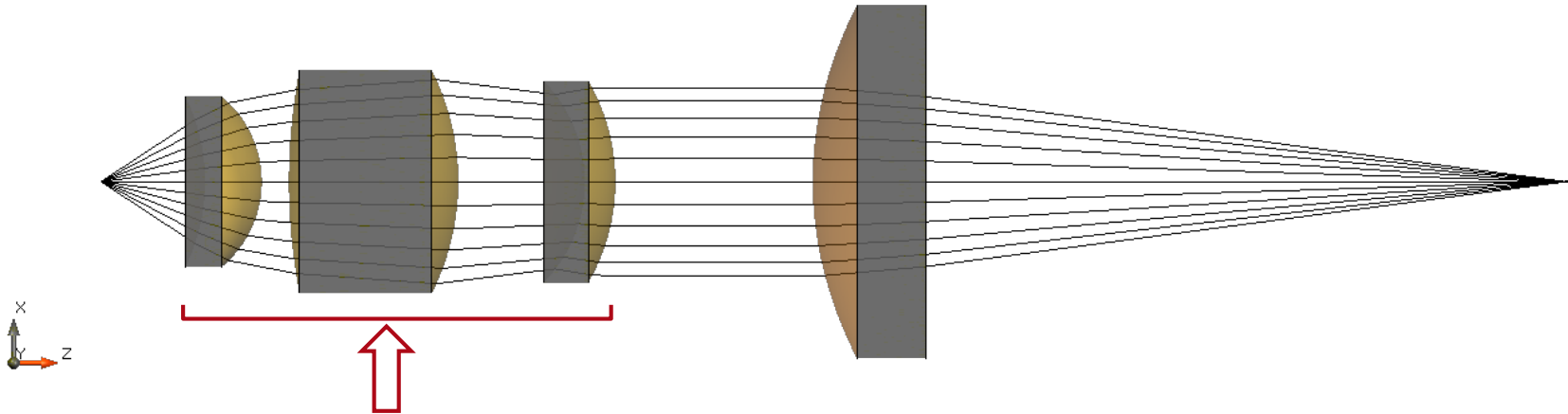
- laser diode modeling inclusive astigmatism  
→ impact on size, shape & position of focus spot
- diffraction at lens apertures
- advanced focal region analysis

# Specification: Light Source



Parameter	Description / Value & Unit
type/number	single mode IR diode laser from Laser Components: WSLD-1064-050m-1-PD
coherence/mode	single Hermite Gaussian (0,0) mode
wavelength	1064nm
polarization	linear in x-direction (0°)
FWHM of beam divergence with astigmatism	10° × 20° (i.e. 8.49° × 16.97° referring to the 1/e <sup>2</sup> waist radius), astigmatic shift: -11.6 μm
initial M <sup>2</sup> in x- and y-direction	1.00 × 1.00

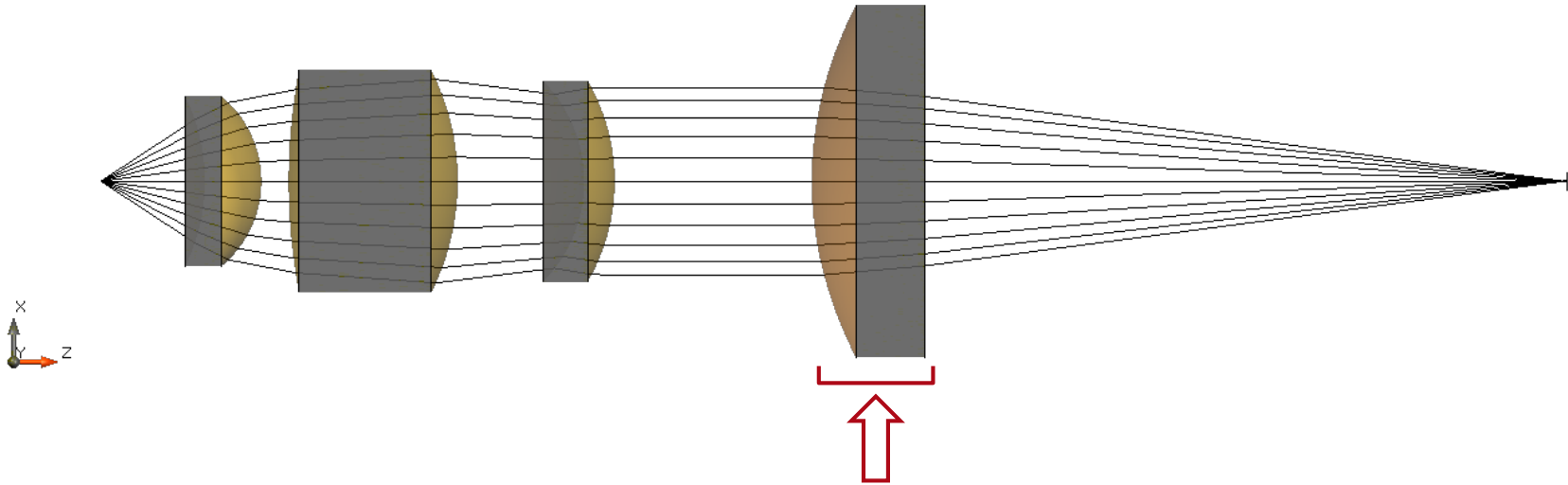
# Specification: Collimating Lens



Parameter	Value & Unit
types of lens surfaces	3 lenses with 6 spherical surfaces
numerical aperture (NA)	0.63
materials	$M_1$ : N-SF6* $M_2, M_3$ : N-BK7*

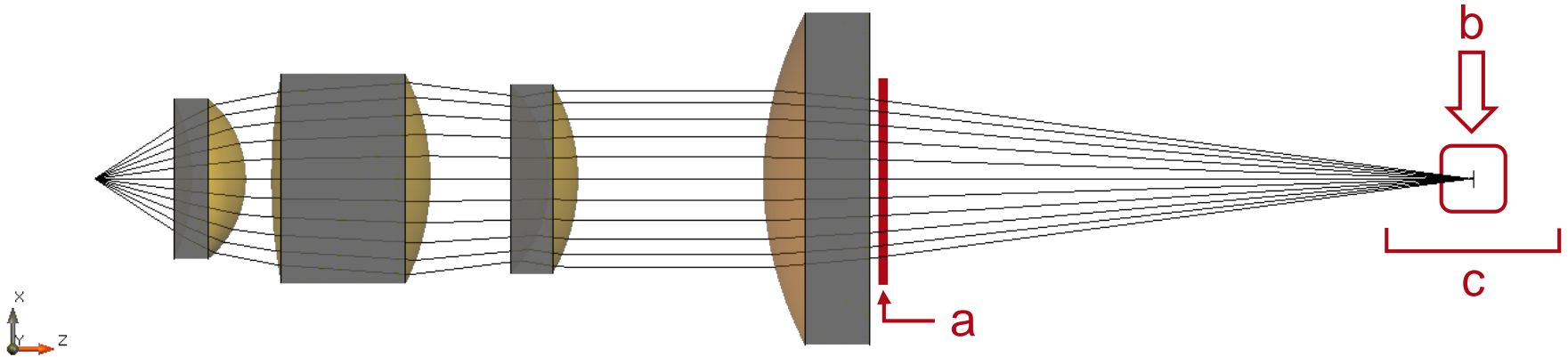
\* from catalog "Schott\_2014"

# Specification: Focusing Asphere



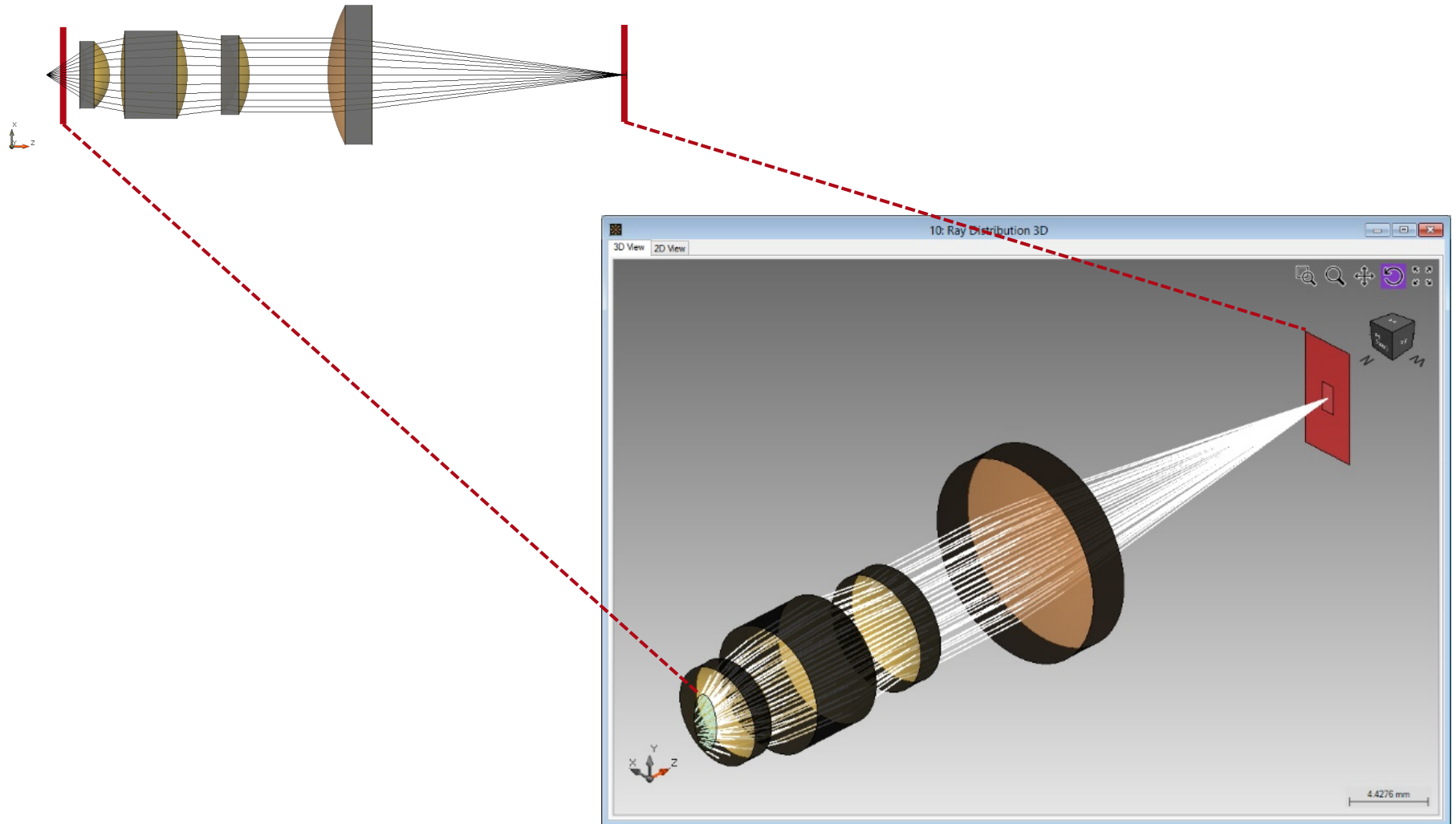
Parameter	Value & Unit
name/type	convex-plano aspherical lens from Asphericon: ALL12-25-S-U (A12-25LPX)
numerical aperture	0.23
material (M)	N-BK7

# Specification: Detectors



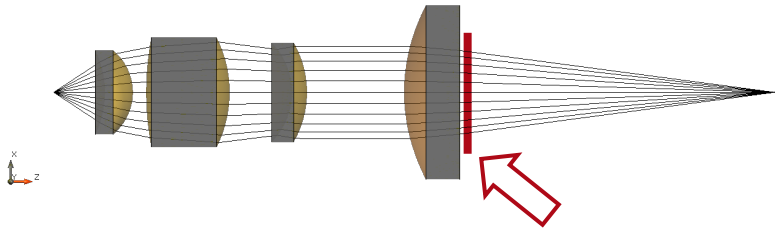
Position	Modeling Technique	Detector/Analyzer
full system	3D system ray tracing	general overview of light behavior in system
a	ray tracing	residual phase aberrations
b	ray tracing	dot diagram & focal beam size (x × y)
b	field tracing	intensity distribution
b	field tracing	focal beam size, M <sup>2</sup> value (x × y)
c	field tracing	focal region analysis by multiple 1D cross sections in x- & y-direction

# Results: 3D System Ray Tracing





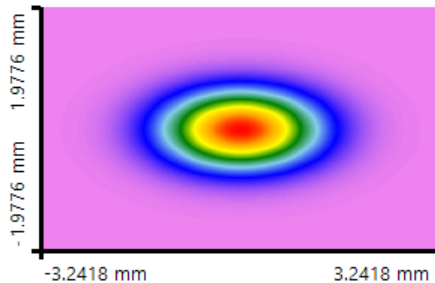
# Results: Field behind Asphere



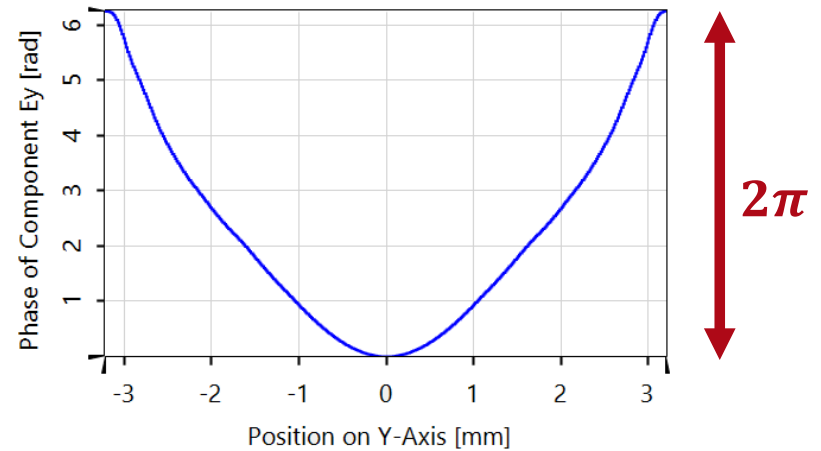
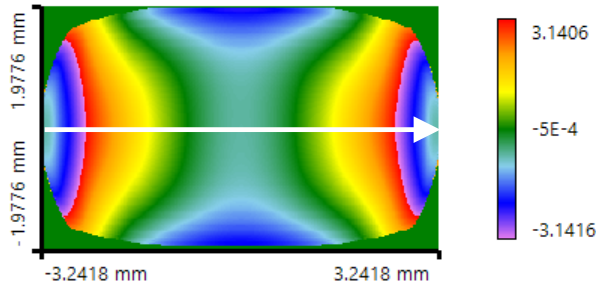
## Highlights

- laser diode modeling inclusive astigmatism
- diffraction at lens apertures
- advanced focal region analysis

intensity



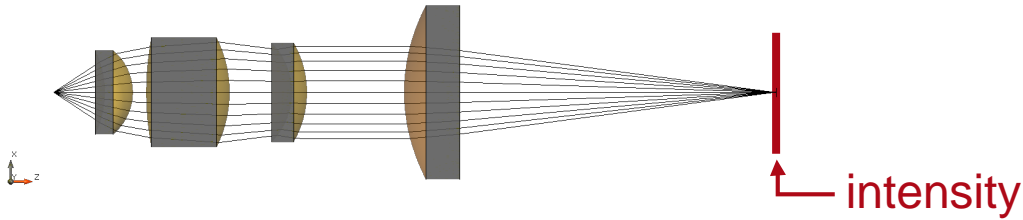
residual phase



1D cross section of remaining phase

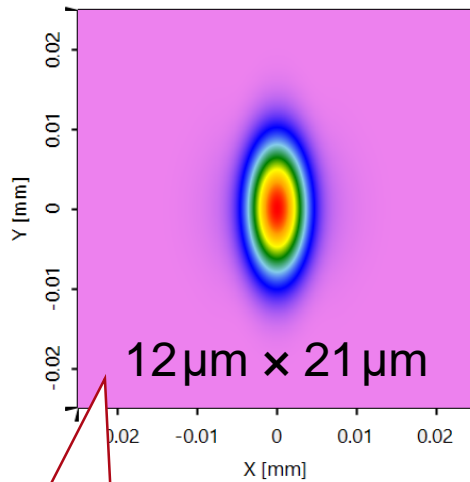
Simulation Time ~2s

# Results: Comparison with/without Astigmatism

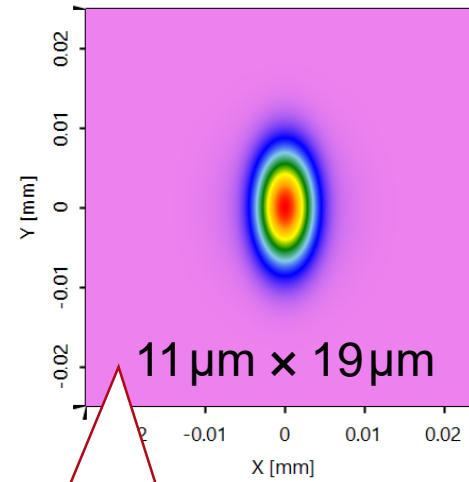


## Highlights

- laser diode modeling inclusive astigmatism
- diffraction at lens apertures
- advanced focal region analysis

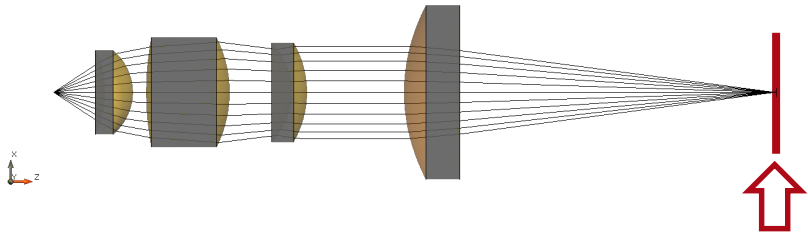


**with  
astigmatism  
(11.6 $\mu\text{m}$ )**



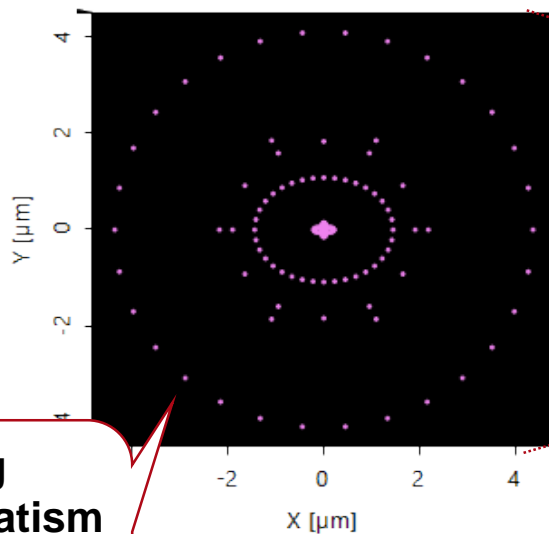
**without astigmatism**

# Results: Focus Spot (PSF) & Parameters



## Highlights

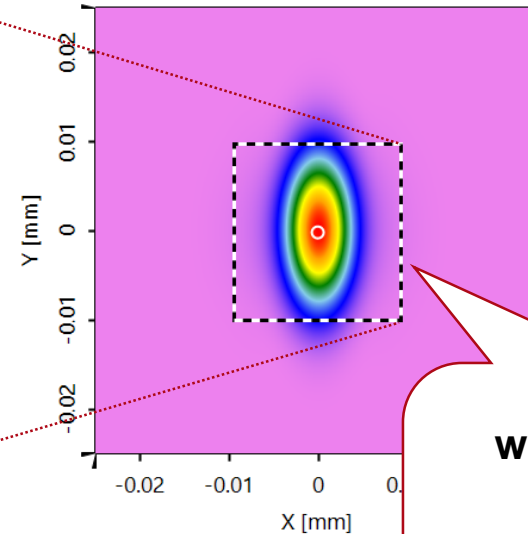
- laser diode modeling inclusive astigmatism
- diffraction at lens apertures
- advanced focal region analysis



**ray tracing  
without astigmatism**

RMS diameter  
(x × y) = 6 μm × 6 μm

**dot diagram  
of ray positions**



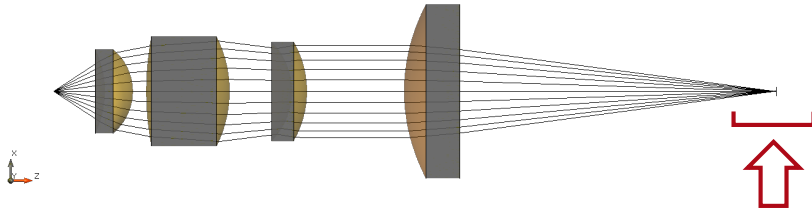
**intensity**

**field tracing  
with astigmatism**

1/e<sup>2</sup> diameter  
(x × y) = 11 μm × 19 μm

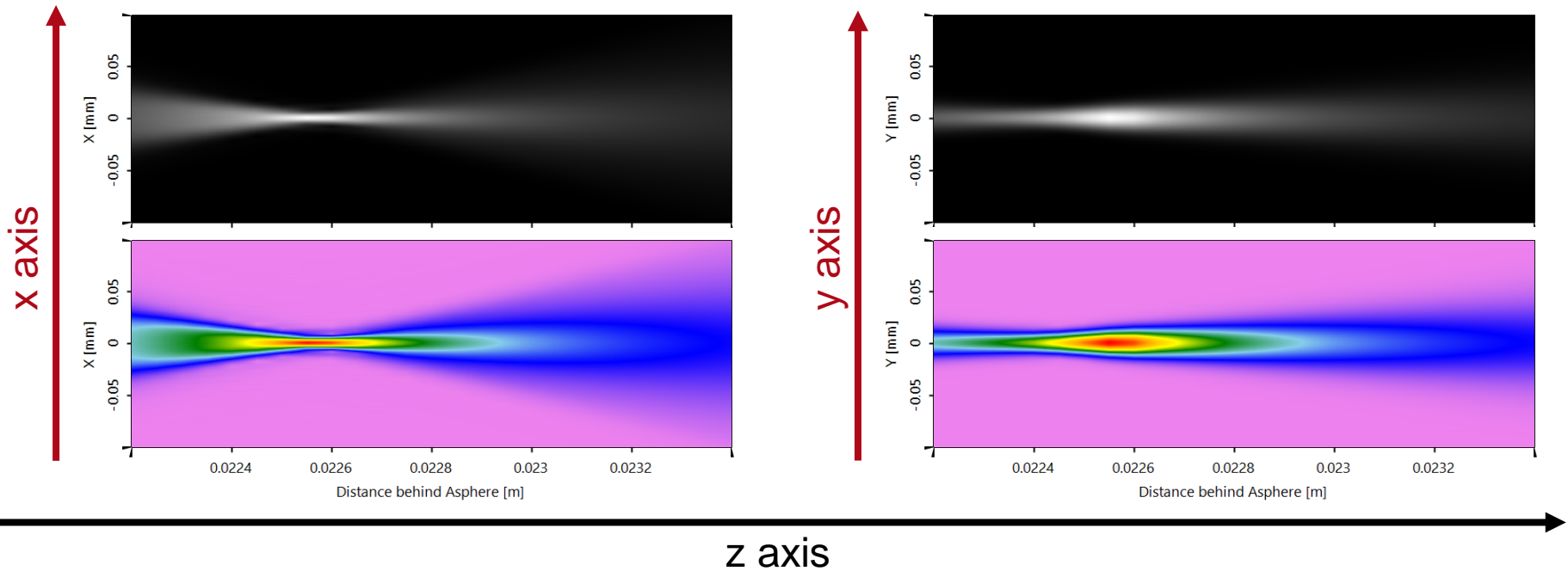
**beam quality**  
M2 = 1.07 × 1.01

# Results: Field Analysis in Focal Region 1D



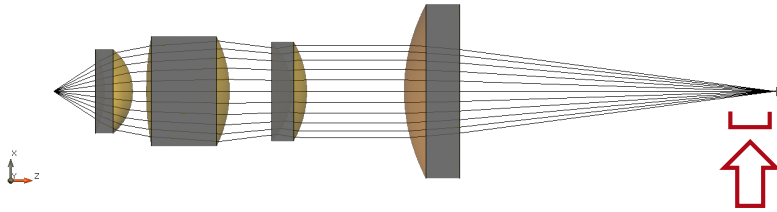
## Highlights

- laser diode modeling inclusive astigmatism
- diffraction at lens apertures
- advanced focal region analysis



(amplitudes in grey and inverse rainbow colors)

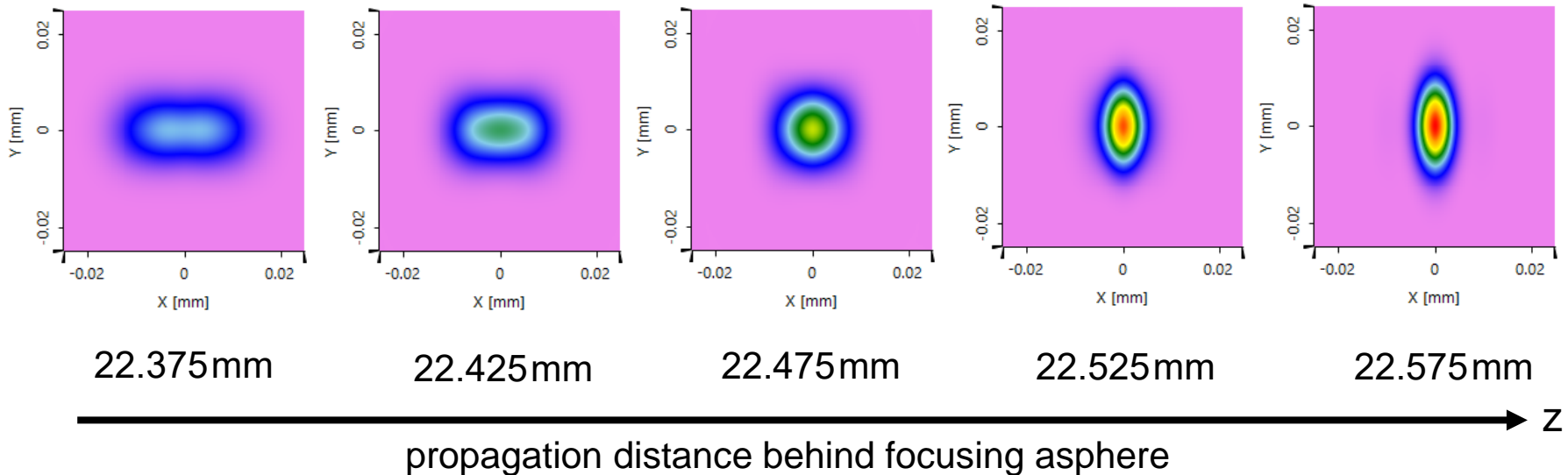
# Results: Field Development in front of Focus 2D



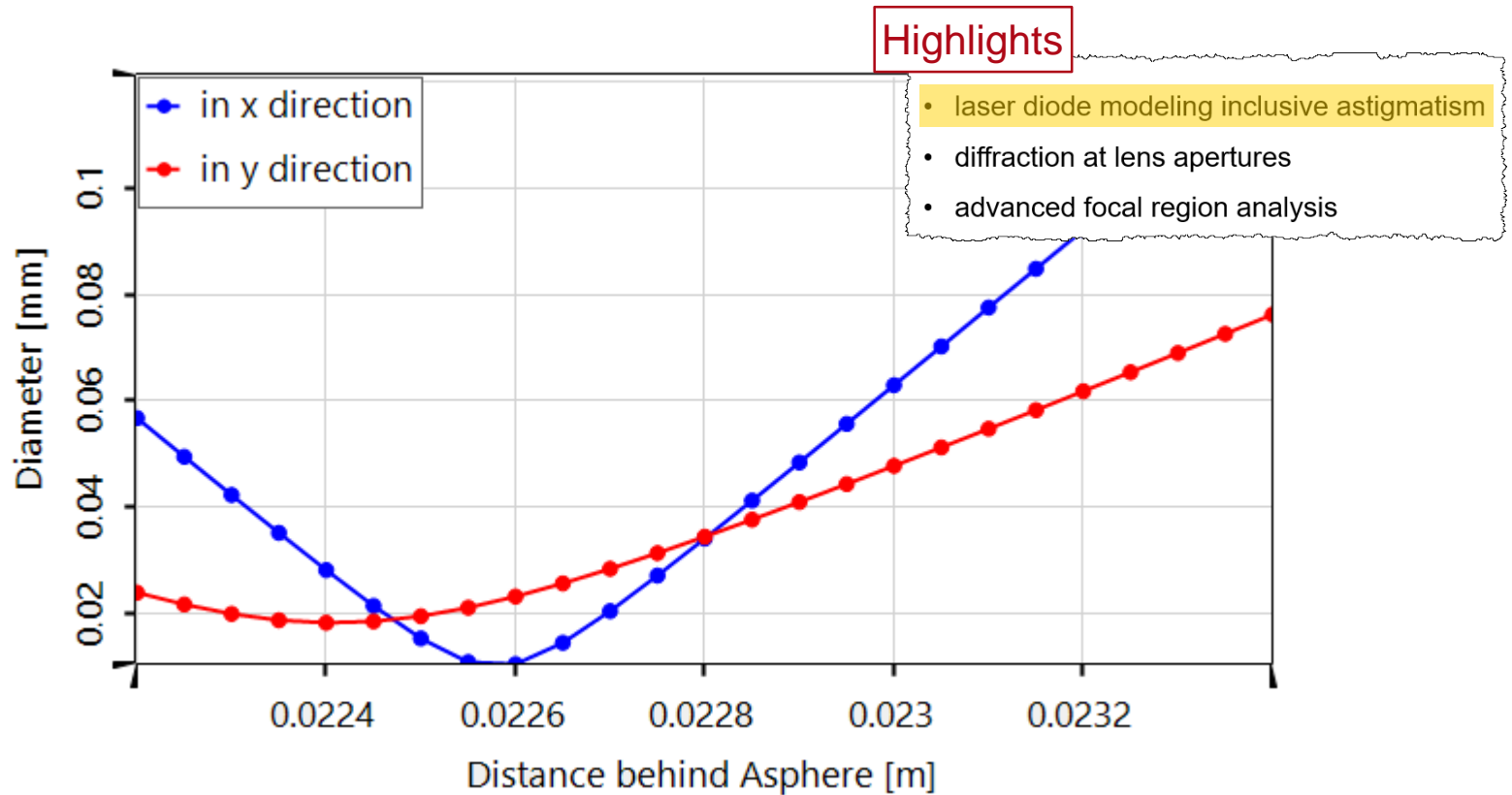
## Highlights

- laser diode modeling inclusive astigmatism
- diffraction at lens apertures
- advanced focal region analysis

principal axis of beam ellipse changes from y- to x-direction.



# Results: Focus Position in X vs Y Direction



z-position of smallest spot diameter  
is different for x- and y-direction

# Document & Technical Info

---

code	BD.0002
version of document	1.0
title	Focus Investigation behind Aspherical Lens
category	Laser Systems > Beam Delivery (BD)
author	Hartwig Crailsheim (LightTrans)
used VL version	7.0.0.29

---

---

## Specifications of PC Used for Simulation

Processor	i7-4910MQ (4 CPU cores)
RAM	32 GB
Operating System	Windows 10